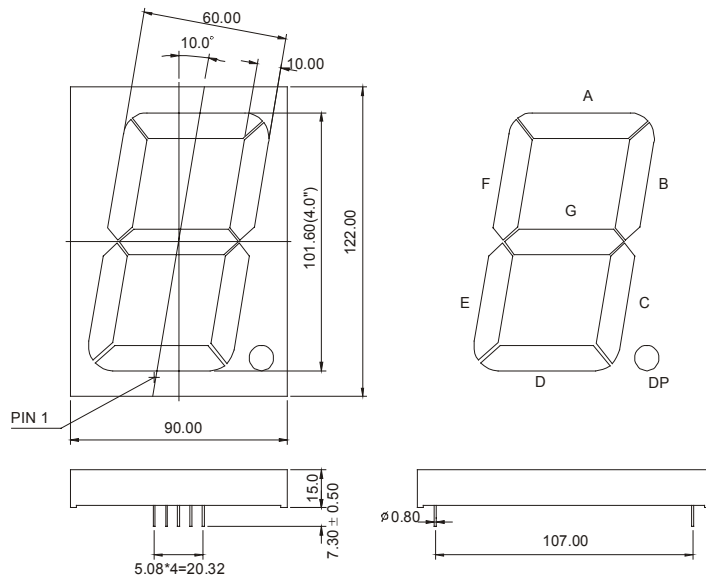


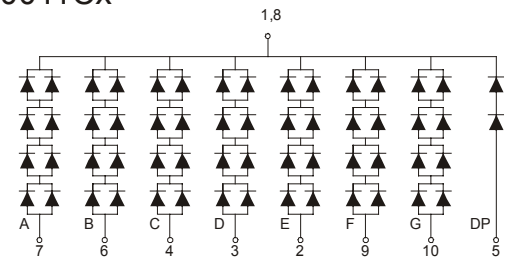


## MCD-40011Cx-Dx (Bi-COLOR DIGIT LED DISPLAY)

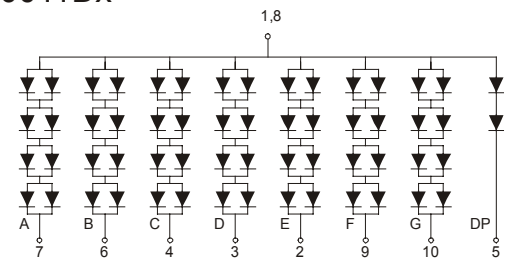
### MCD-40011 Series



### MCD-40011Cx



### MCD-40011Dx



### Features:

\*4.0 INCH HIGH CHARACTER.

\*EXCELLENT CHARACTER APPEARANCE.

\*COMMON CATHODE OR COMMON ANODE.

\*I.C. COMPATIBLE.

\*LOW POWER CONSUMPTION.

| Part Number  | EMITTED COLOR |              | Common Cathode or Common Anode | Peak Wavelength (nm) | Vf (v) Typ | If (mA) | Intensity Per Segment (mcd) |      |
|--------------|---------------|--------------|--------------------------------|----------------------|------------|---------|-----------------------------|------|
|              |               |              |                                |                      |            |         | Min.                        | Typ. |
| MCD-40011CE  | GaAsP/GaP     | Hi.effi Red  | Common Cathode                 | 635                  | 2.0        | 20      | 72                          | 96   |
| MCD-40011CG  | GaP           | Green        |                                | 565                  | 2.1        | 20      | 64                          | 88   |
| MCD-40011CY  | GaAsP/GaP     | Yellow       |                                | 585                  | 2.0        | 20      | 72                          | 96   |
| MCD-40011CS  | GaAlAs        | Super Red    |                                | 660                  | 1.8        | 20      | 80                          | 104  |
| MCD-40011CD  | GaAlAs        | Ultra Red    |                                | 660                  | 1.8        | 20      | 200                         | 240  |
| MCD-40011CUE | AlGaInP       | Ultra Red    |                                | 625                  | 2.0        | 20      | 240                         | 280  |
| MCD-40011CUY | AlGaInP       | Ultra Yellow |                                | 590                  | 2.0        | 20      | 240                         | 280  |
| MCD-40011DE  | GaAsP/GaP     | Hi.effi Red  | Common Anode                   | 635                  | 2.0        | 20      | 72                          | 96   |
| MCD-40011DG  | GaP           | Green        |                                | 565                  | 2.1        | 20      | 64                          | 88   |
| MCD-40011DY  | GaAsP/GaP     | Yellow       |                                | 585                  | 2.0        | 20      | 72                          | 96   |
| MCD-40011DS  | GaAlAs        | Super Red    |                                | 660                  | 1.8        | 20      | 80                          | 104  |
| MCD-40011DD  | GaAlAs        | Ultra Red    |                                | 660                  | 1.8        | 20      | 200                         | 240  |
| MCD-40011DUE | AlGaInP       | Ultra Red    |                                | 625                  | 2.0        | 20      | 240                         | 280  |
| MCD-40011DUY | AlGaInP       | Ultra Yellow |                                | 590                  | 2.0        | 20      | 240                         | 280  |